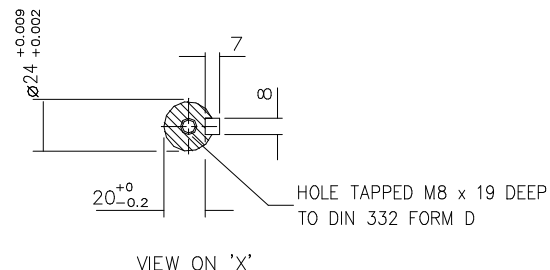
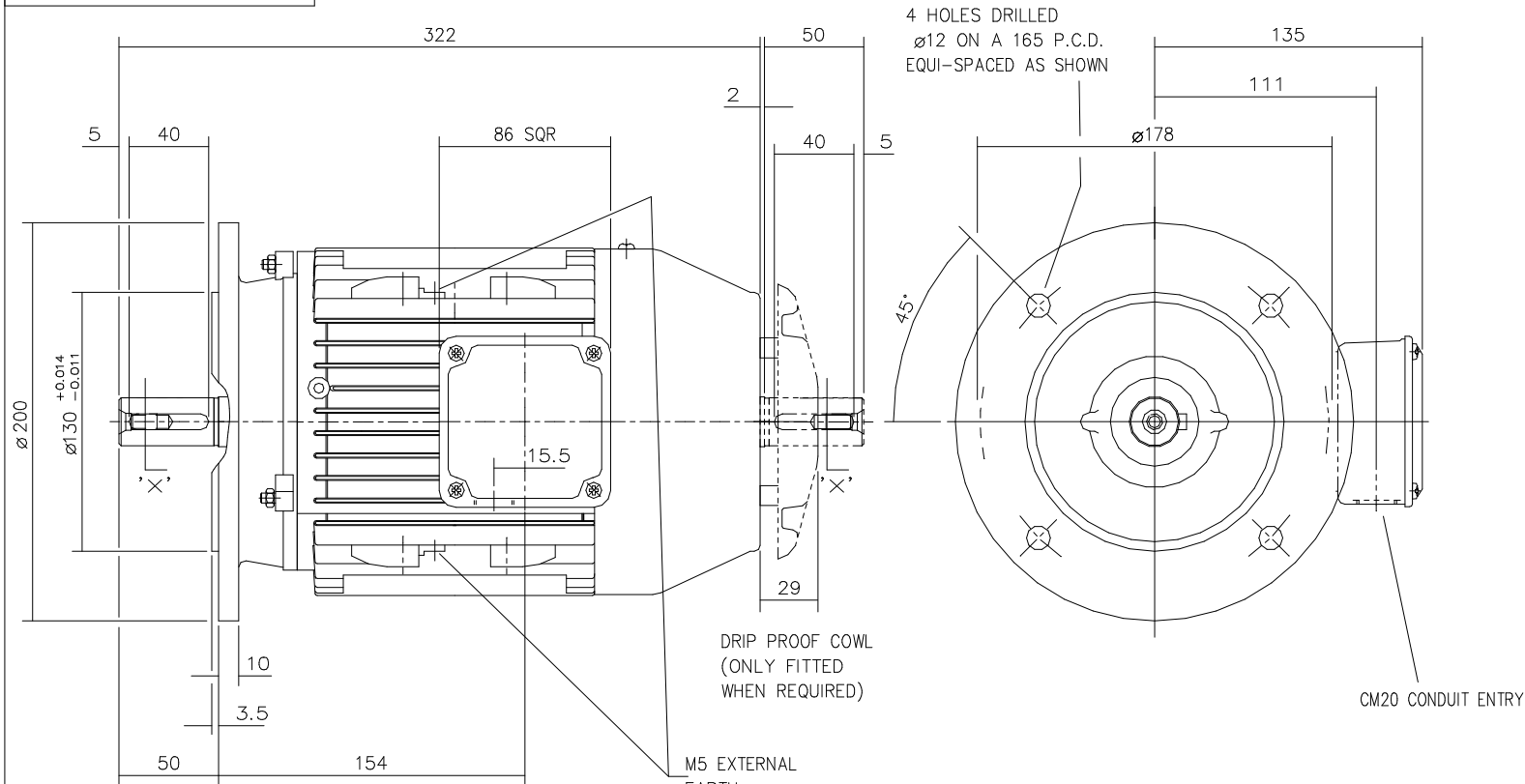


DRG. No. W90GD000/2

DRG. REF.



STANDARD TERMINAL BOX POSITION IS 3 O'CLOCK AS SHOWN.
 CONDUIT ENTRIES: - TERMINAL BOX CAN BE ROTATED AT 90° INTERVALS
 (CONDUIT ENTRY POSITION SHOWN FOR ILLUSTRATION ONLY).

CUSTOMER		
ORDER No.		
PART No.		
OUR ORDER No.		
FRAME SIZE		
KW.	RPM.	
Hz	PHASE	
VOLTS	POLES	
BRGS.	DE.	NDE.
MOTOR NETT WT.		Kg.
SPECIAL REMARKS		

ALL DIMENSIONS IN MILLIMETRES.



**BROOK
 CROMPTON**

Huddersfield, HD1 3LJ
 ENGLAND

SHEET TITLE
 SIZE OUTLINE DIMENSION DRAWING W ALUMINIUM TOTALLY ENCLOSED FAN COOLED
 A3 90S/L FRAME 'D' FLANGE MOUNTED MOTOR

	NAME	DATE
DRAWN	RS.	11/03/97
CHECKED	IMT	11/03/97
SCALE	1:2.5	

DRG. No.	W90GD000/2		
DRG. REF.			
REVISION:	VLS	DATE	30.04.01